



## Sounder-Strobe-Combination AXL04

**Loud signalling devices with 32 different signals and 2 Joule strobe light**

- ▶ Volume: approx. 105 dB(A)
- ▶ 2 stage alarm
- ▶ Flash energy 2 Joule
- ▶ Low current consumption
- ▶ Simple Installation

### Application

The AXL04 is very versatile in its application. The Sounder-strobe-light-combination AXL04 is often used in burglar and fire alarm systems, office building, hospitals or airports.

### Design

Thanks to its housing, the AXL04 is suitable for use both indoors and outdoors. The device generates 32 different signal tones, which can be set individually by the user. Flash energy 2 Joule.

The optical and acoustical signal can be controlled separately of each other. The design of the housing enables simple installation.

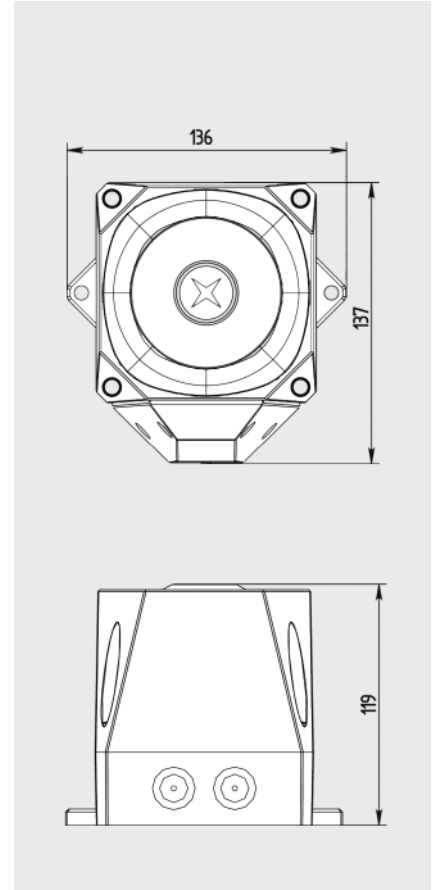
### Signalling device

for use in an airport.



## Technical specifications

Housing	ABS
Colour	red
Cap	clear, red, amber, blue
Protection degree	IP 66
Flash energy	2 Joule
Volume	approx. 105 dB(A)
Signals	32
Temperature range	-25 °C up to +70 °C
Weight	approx. 0.5 kg



## Order information

\* The full article number is made up by appending the colour code for the coloured cap to the article numbers given below.

<b>transp.</b>	01
<b>red</b>	02
<b>amber</b>	03
<b>blue</b>	05

Type	Name	Rated voltage	Art. no.
AXL04	Sounder-Strobe-Combination	115 / 230 VAC	225 107 ... 100
AXL04	Sounder-Strobe-Combination	9 – 60 VDC	225 113 ... 100

Subject to change without notice · Printout 04/13



FHF Funke + Huster Fernsig GmbH · P.O. Box 14 01 66 · D-45441 Mülheim an der Ruhr · Gewerbeallee 15-19 · D-45478 Mülheim an der Ruhr  
Telephone +49-208-82 68-0 · Fax +49-208-82 68-286 · <http://www.fhf.de> · e-mail: [info@fhf.de](mailto:info@fhf.de)