

Switch/Pushbutton

### Technical data

#### Ex-installation switches and Ex-pushbuttons

Marking to 94/9/EC	Ex II 2 G Ex de IIC T6 / Ex II 2 D Ex tD A21 IP66 T80 °C
EC-Type Examination Certificate	PTB 98 ATEX 3121
IECEX Certificate of conformity	IECEX BK1 07.0036
Marking acc. IECEx	Ex ed IIC T6 Ex tD A21 IP66 T67 °C
Permissible ambient temperature	-20 °C to +40 °C -55 °C to +55 °C (option)
Rated voltage	250 V, 50 - 60 Hz
Rated current	16 A
Connecting terminals	Switch terminals: 2 x 2.5 mm <sup>2</sup> / PE-terminals: 4 x 2.5 mm <sup>2</sup>
Degree of protection accd. to EN 60529	IP66
Cable glands <sup>1)</sup>	Ex-e cable glands max. 2 x M25; 2 x M20 thread
Weight	0.32 kg
Enclosure material	Polyamide

### Ordering details

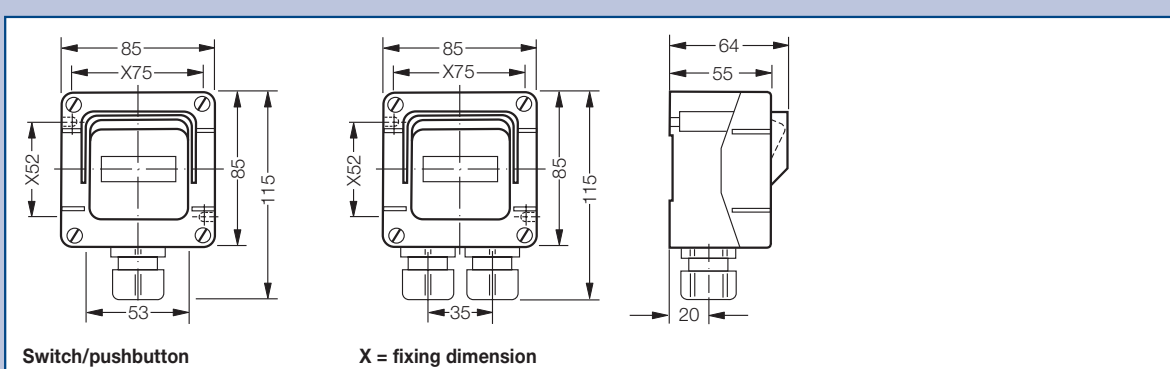
Type	Contact arrangement	Cable glands <sup>1)</sup>	Order No.
ON-OFF switch 2-pole		1 x M25	<b>GHG 273 2000 R0017</b>
		2 x M25	<b>GHG 273 2000 R0018</b>
		2 x M20 <sup>2)</sup>	<b>GHG 273 2000 R0003</b>
Change-over switch		1 x M25	<b>GHG 273 6000 R0011</b>
		2 x M20 <sup>2)</sup>	<b>GHG 273 6000 R0003</b>
		2 x M25	<b>GHG 273 6000 R0014</b>
Pushbutton		1 x M25	<b>GHG 273 4000 R0004</b>
		2 x M25	<b>GHG 273 4000 R0007</b>

<sup>1)</sup> Base enclosure can be rotated after wards (entry from top or down)

<sup>2)</sup> Threaded only

Other versions available on request

### Dimension drawing



Dimensions in mm