

Signal lamp

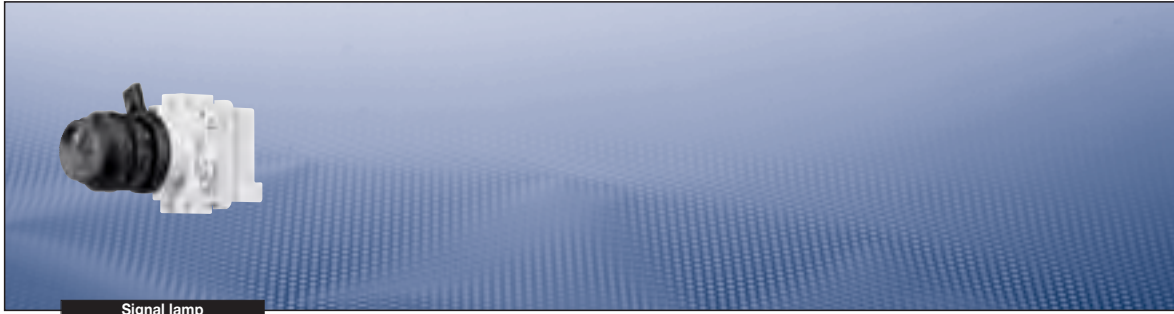
Technical data

Signal lamp Type 418 8170

Marking to 94/9/EC	Ⓔ II 2 G Ex ed IIC / Ⓔ II 2 G Ex d ia IIC	
EC-Type Examination Certificate	PTB 98 ATEX 1040 U PTB 99 ATEX 1034 ¹⁾	
Permissible ambient temperature	-20 °C to +40 °C -55 °C to +55 °C (option)	
Rated voltage	(Ex ed IIC) (LED)	20 V to 250 V AC/DC
	(Ex d ia IIC)	10 V to 28 V DC
	(Ex ed IIC)	12 V to 30 V AC/DC
Rated current	(20 V to 250 V) (LED)	approx. 4 - 15 mA
	(10 V to 28 V Ex d ia IIC)	max. 25 mA
	(12 V to 30 V) DC	max. 24 mA
Connecting terminals	2 x 2.5 mm ²	
Degree of protection accd. EN 60529	IP66 ¹⁾	
Dimensions (L x W x H)	approx. 59 x 31 x 45 mm	
Weight	0.15 kg	
Type of mounting	Ø 30.5 mm fixing hole	
Enclosure colour	grey	

¹⁾ If protective covers are used

Ex-Control and signal units for panel mounting



Signal lamp

Ordering code for Component (Code 2) Code A - B

A	B
GHG 418 8170 R00	—

Code	Component	Code
A	Signal lamp	GHG 418 8170

Code	Resistance	Code
B	20 V - 250 V AC/DC	51
	18 V - 30 V DC (Ex-i ¹)	52
	12 V - 30 V AC/DC	53

Example for ordering code (Code 2)

Version	Order Code	
	A	B
Version without protective cover with lens cover yellow, red, green and white		
Universal voltage 20V - 250 V AC/DC	GHG 418 81 70	R0051
For intrinsically safe circuits (18 V up to 30 V DC1)	GHG 418 81 70	R0052
Low voltage 12 V up to 24 V AC/DC	GHG 418 81 70	R0053

¹) Supply by valve-driver components, e.g., with data:

$U_o = 20\text{ V} - 28\text{ V DC}$ with $R_i = 200\ \Omega - 500\ \Omega$ or $U_o = 10\text{ V} - 18\text{ V DC}$ with $R_i = 100\ \Omega - 200\ \Omega$

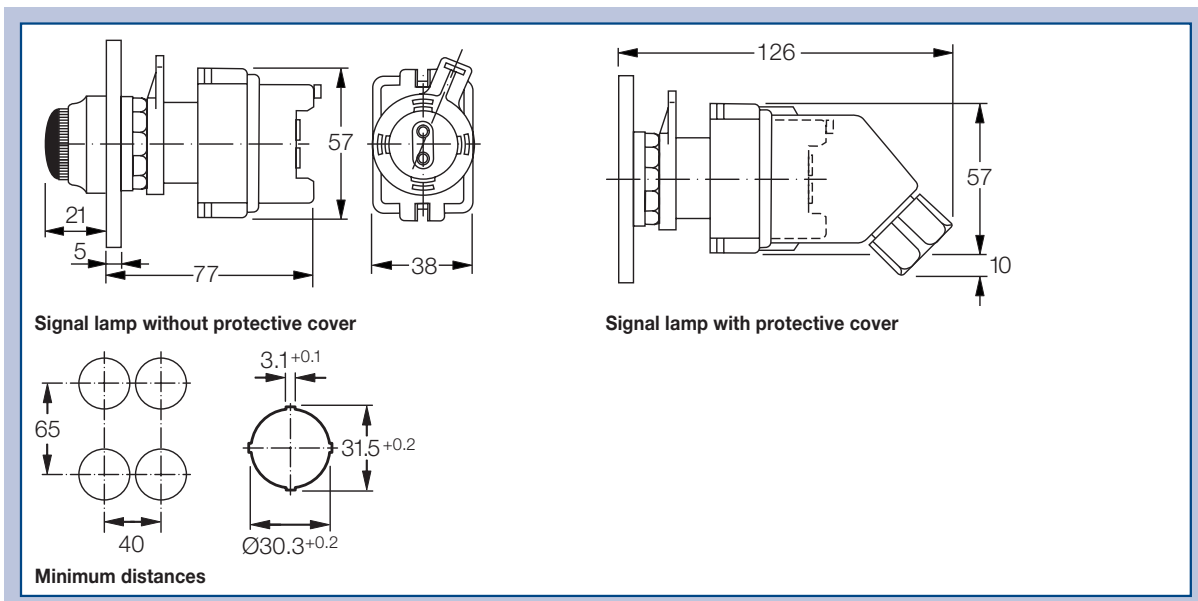
No effective C_i and L_i values.

Accessories

Type	OU	Order No.
Protective cover to meet IP66	5	GHG 410 1939 R0002

Please note that we can only deliver in the ordering units (OU) stated in the tables above

Dimension drawing



Dimensions in mm