

Mini-control switch

Example for ordering code (Code 2)

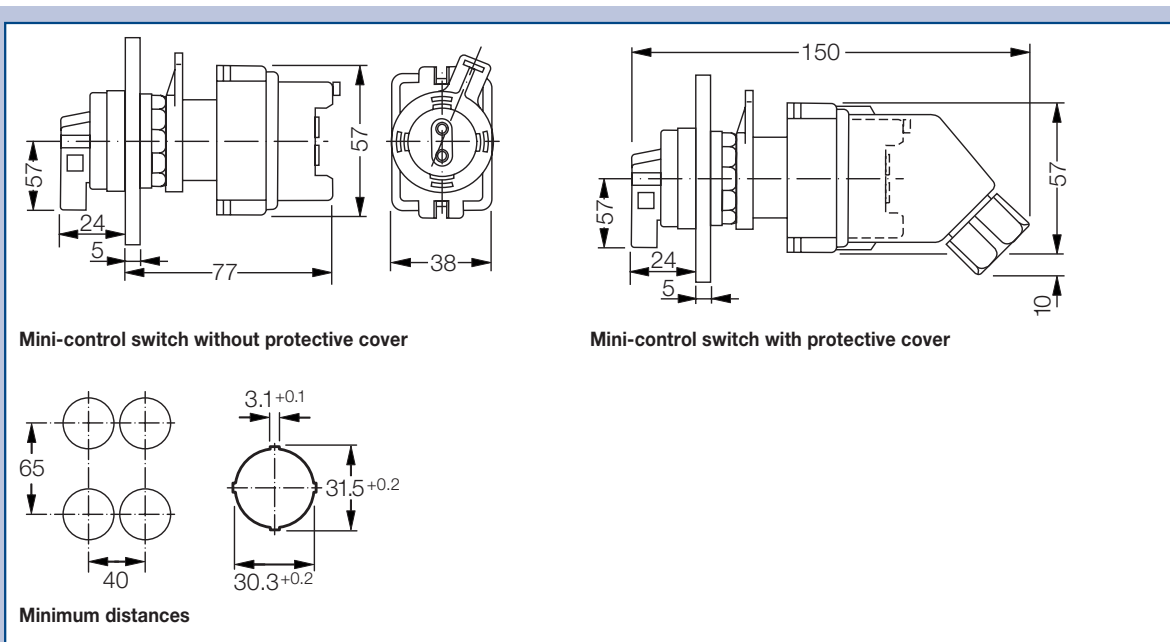
Switching mechanism	Code	Contact system	Code	Label schild	Order No.				
					A	B	C	D	E
Control switch with silver contact points, without protective cover									
Switch can be locked in all positions									
	6		0	I II	GHG 418 819	0 R 6	0	02	
	6		2	0 I	GHG 418 819	0 R 6	2	01	
	6		1	I II	GHG 418 819	0 R 6	1	02	
	5		3	I 0 II	GHG 418 819	0 R 5	3	07	
	5		5	I 0 II	GHG 418 819	0 R 5	5	07	
	8		7	0 I	GHG 418 819	0 R 8	7	01	

Accessories

Type	OU	Order No.
Protective cover to meet IP66	5	GHG 410 1939 R0002

Please note that we can only deliver in the ordering units (OU) stated in the tables above

Dimension drawing



Dimensions in mm

1
2
3
4
5
6
7
8
9
10
11
12