

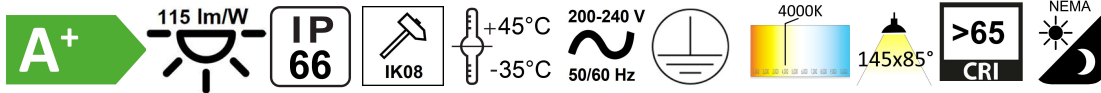
# CYLON MINI – LED STREETLIGHTS



## FEATURES & BENEFITS

- Sleek, low profile design
- Perfect replacement for 70W SON
- NEMA photocell compatible
- Improved efficiency (115 lm/W)

### At a glance:



### Mechanical:

**Ingress Protection:** IP66 as standard

**Impact Protection:** IK08

**Construction:** Silver, aluminium heatsink, with maintenance accessibility from underneath

**Mounting:** 60mm horizontal installation (adjustable extension available on request)

**Working Temperature:** -35°C - +45°C

**Photocell:** Socket included, photocell or blank (not included)

*Important note: Either a photocell or blank is required for the NEMA socket to complete the electrical connection. Ordered separately*

### Electrical:

**Input Voltage:** 200-240VAC (50-60Hz)

**Power Factor:** 0.95

**Power:** 40W (other options available on request)

### Photometric:

**CCT:** 4000K as standard

**Beam Options:** 145° x 85°

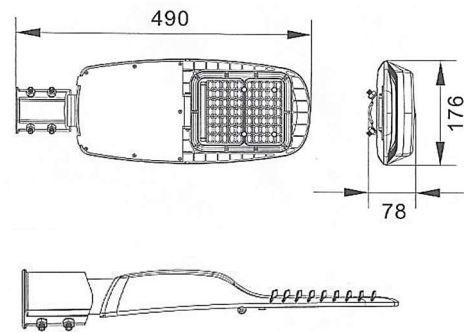
**CRI:** >65Ra

**Lumen Maintenance:** L70B10>50,000 hrs

### Certifications:



### Dimensions:



CODE	POWER	CCT	LUMINOUS FLUX	BEAM ANGLE	DIMENSIONS (LxWxH)
VER-USTMINI40	40W	4000K	4,525lm	145° x 85°	490x176x78mm

\* Specifications and images subject to change without notice.

All VERDE products comply with surge immunity as specified by EN 61547:2009. However, the Verde Warranty also requires additional surge protective devices to be installed on-site against the effects caused by remote lightning strikes, inductive or capacitive coupling, and switching surge voltages. These are typically also installed at the main distribution and sub-distribution panels and are to be maintained and operational always. Refer to industry experts such as [www.phoenixcontact.com](http://www.phoenixcontact.com) for further surge protection advice.