

# DECADE ROCCA

DECADE

ROCCA



Architectural LED bollards  
for circulation areas and  
public spaces subject to  
vandalism.



Rocca Decade

Features:

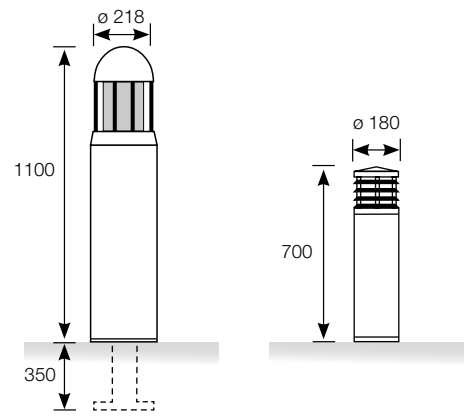
- Bollard body and head in aluminium treated against corrosion
- Acrylic reflector
- Polycarbonate diffuser
- Polyester black powder-coated finish
- Stainless steel vandal-resistant black screws
- Standard anchoring: code: 9885 0001 (DECADE)  
code: 9885 0003 (ROCCA)
- 3-year guarantee

■ RAL9005

Additional options:

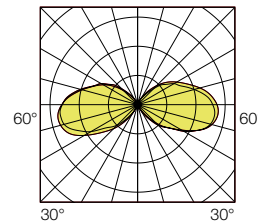
- DECADE bollard: reinforced anchoring for embedding into concrete (VK25): code: 9885 0002

🔧 Vandal-resistant tool (bit) to be ordered separately  
code: 9800 0007

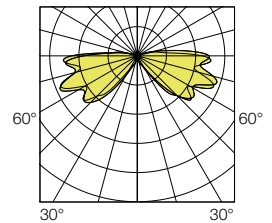


(option: anchor for embedding)

Decade bollard  
code: 8500 2400



Rocca bollard  
code: 8505 2400



DECADE and ROCCA LED bollards



220-240 V AC / 50/60 Hz ⚡ CE RoHS

Designation	Power (W)	Luminaire light output (lm)	Luminaire efficacy (lm/W)	Code
Decade	30	940	31	8500 2400
Rocca	30	360	12	8505 2400

Lifetime: L70B50 / 50,000 h