

GHG 791 Ex-e/Ex-i terminal box



GHG 791 0101 R0003



GHG 791 0101 R0005



GHG 791 0201 R0011



GHG 791 0201 R0008

Technical data

GHG 791 01 up to 6 terminals | GHG 791 02 up to 12 terminals

Marking accd. to 2014/34/EU	Ⓜ II 2 G Ex e IIC T5/T6 Gb / Ⓜ II 2 D Ex tb IIIC T80°C Db
EC-Type Examination Certificate	BVS 16 ATEX E 031
IECEX Certificate of Conformity	IECEX BVS 16.0024
Marking accd. to IECEx	Ex e IIC T5/T6 Gb Ex tb IIIC T80°C Db
Permissible ambient temperature	-20 °C to +40 °C / -55 C to +55 °C (option)
Rated voltage	690 V
Protection class	I
Degree of protection accd. to EN 60529	IP66
Enclosure material	Polyamide
Enclosure colour	black

GHG 791 01 up to 6 terminals

Rated current	max. 32 A
Connecting terminals	up to 6 mm ²
Cable entry/enclosure drilling	max. 2 x M25 or 1 x M25 + 2 x M12
Dimensions (L x W x H)	81.5 x 100 x 61 mm
Weight	approx. 0.3 kg

GHG 791 02 up to 12 terminals

Rated current	max. 28 A
Connecting terminals	up to 6 mm ²
Cable entry/enclosure drilling	max. 2 x M25 or 1 x M32 + 1 x M25 or 1 x M25 + 4 x M12
Dimensions (L x W x H)	117.5 x 113.5 x 73.5 mm
Weight	approx. 0.5 kg



GHG 791 0201 R0008



GHG 791 0201 R0011



GHG 791 0101 R0005



GHG 791 0101 R0003

Ordering details

Content	Cable gland	No. of terminals	Order No.
Type 791 01 up to 6 terminals assembled with screw terminals 2 x 2.5 mm² + PE/PA-terminals 2 x 4 mm²			
Ex-e	1 x M25 cable gland 1 x M25 for 2 cable 1 x blanking plug for Ø 4.5-7 mm	6 x Ex-e 4 x PE/PA	GHG 791 0101 R0003
Ex-i	1 x M25 cable gland 1 x M25 for 2 cable 1 x blanking plug for Ø 4.5-7 mm	6 x Ex-i 4 x PE/PA	GHG 791 0101 R0004
Ex-e	1 x M25 cable gland 2 x M12 cable gland 1 x blanking plug for M12	6 x Ex-e 4 x PE/PA	GHG 791 0101 R0005
Ex-i	1 x M25 cable gland 2 x M12 cable gland 1 x blanking plug for M12	6 x Ex-i 4 x PE/PA	GHG 791 0101 R0006
Type 791 01 up to 6 terminals assembled with screwless terminals 2 x 2.5 mm² + PE/PA-terminals 2 x 4 mm²			
Ex-i	1 x M25 cable gland 1 x M25 for 2 cable 1 x blanking plug for Ø 4.5-7 mm	6 x Ex-i 1 x PE/PA	GHG 791 0101 R0008
Ex-e	1 x M25 cable gland 2 x M12 cable gland 1 x blanking plug for M12	6 x Ex-e 1 x PE/PA	GHG 791 0101 R0009
Ex-i	1 x M25 cable gland 1 x M12 cable gland 1 x blanking plug for M12	6 x Ex-i 1 x PE/PA	GHG 791 0101 R0010
Type 791 02 up to 12 terminals assembled with screw terminals 2 x 2.5 mm² + PE/PA-terminals 2 x 4 mm²			
Ex-e	1 x M25 cable gland 1 x M32 for 4 cable 2 x blanking plug for Ø 4.5-7 mm	12 x Ex-e 4 x PE/PA	GHG 791 0201 R0008
Ex-i	1 x M25 cable gland 1 x M32 for 4 cable 2 x blanking plug for Ø 4.5-7 mm	12 x Ex-i 4 x PE/PA	GHG 791 0201 R0009
Ex-e	1 x M25 cable gland 4 x M12 cable gland 2 x blanking plug for M12	12 x Ex-e 4 x PE/PA	GHG 791 0201 R0010
Ex-i	1 x M25 cable gland 4 x M12 cable gland 2 x blanking plug for M12	12 x Ex-i 4 x PE/PA	GHG 791 0201 R0011
Type 791 02 up to 12 terminals assembled with screwless terminals 2 x 2.5 mm² + PE/PA-terminals 2 x 4 mm²			
Ex-i	1 x M25 cable gland 1 x M32 for 4 cable 1 x blanking plug for Ø 4.5-7 mm	12 x Ex-i 4 x PE/PA	GHG 791 0201 R0013
Ex-e	1 x M25 cable gland 4 x M12 cable gland 2 x blanking plug for M12	12 x Ex-e 4 x PE/PA	GHG 791 0201 R0014
Ex-i	1 x M25 cable gland 4 x M12 cable gland 2 x blanking plug for M12	12 x Ex-i 4 x PE/PA	GHG 791 0201 R0015

Other applications available on request.

GHG 791 Ex-e/Ex-i terminal box



GHG 791 0101 R0003



GHG 791 0101 R0005



GHG 791 0201 R0011



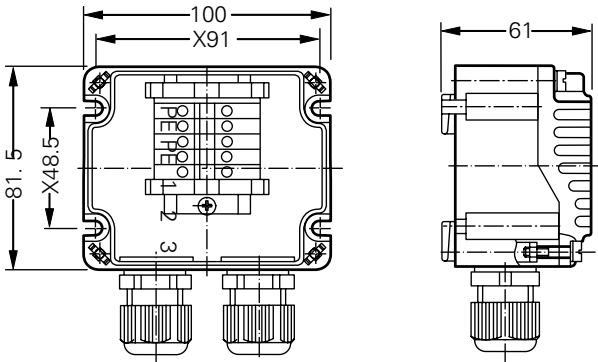
GHG 791 0201 R0008

Accessories

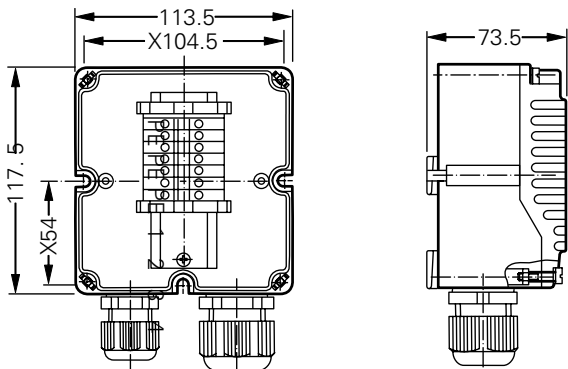
Type	Application	Fixing method	Order No.
Mounting plate for junction box 791 01			
Size 1	Wall mounting	snap on	GHG 610 1953 R0101
Size 1	Trellis mounting	snap on	GHG 610 1953 R0103
Size 1	Pipe clamp	snap on	GHG 610 1953 R0102
Protective canopy size 1	for mounting plate size 1		GHG 610 1955 R0101
Mounting plate for junction box 791 02			
Size 2	Wall mounting	snap on	GHG 610 1953 R0104
Size 2	Trellis mounting	snap on	GHG 610 1953 R0106
Size 2	Pipe clamp	snap on	GHG 610 1953 R0105
Protective canopy size 2	for mounting plate size 2		GHG 610 1955 R0102

Details for accessories see page 2.2.80 up to 2.2.84.

Dimension drawing



Type 791 01



Type 791 02

X = fixing dimensions