

# Malux

## HAZARDOUS AREA THERMOSTAT

REX 011 | 15 °C, 25 °C (T6)



- > For areas with explosion hazard
- > High switching capacity
- > Compact Design
- > Set temperature
- > Ready-to-use with strain relief
- > Temperature class T6

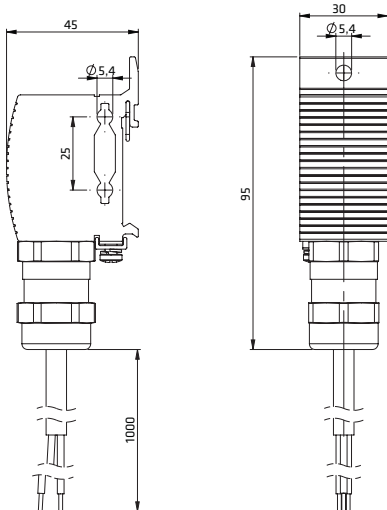
Compact, small mechanical thermostat offering a high response accuracy, small switch temperature difference, and a very long service life (switching cycles). This thermostat of temperature class T6 (85 °C max.) is utilised for the regulation of heaters deployed in areas with explosion hazard. The high switching performance allows direct control of a heater.



### TECHNICAL DATA

Temperature class	T6
Ex Protection type	Ex II 2 GD
Gases	Ex db IIC T6 Gb
Dusts	Ex tb IIIC T85°C Db IP66
Ambient temperature	-60 to +85 °C (-76 to +185 °F)
Sensor element	thermostatic bimetal
Service life	> 100,000 cycles
Max. switching capacity	AC 250 V 10 A <sup>1</sup>
Min. switching capacity	DC 1.5 V 5 mA
Max. inrush current	AC 16 A for 12 sec.
Connection	silicone cable (halogen-free) 3 x 1 mm <sup>2</sup> , length 1 m
Connection PE	1.0 to 2.5 mm <sup>2</sup>
Mounting	clip for 35 mm DIN rail, EN 60715 screw fixing M5, optional widthwise mounting
Casing	aluminium, silver anodised
Dimensions	95 x 45 x 30 mm
Weight	approx. 0.3 kg
Fitting position	variable
Storage temperature	-60 to +85 °C (-76 to +185 °F)
Operating/Storage humidity	max. 90 % RH (non-condensing)
Protection type/Protection class	IP66 / I (earthed)
Approvals	EPS 16 ATEX 1 118 X IECEx EPS 16.0054X EAC

<sup>1</sup> currents above 4 A affect the switch temperature difference



Art. No.	Contact type (1-pole)	Switch temperature	Switch temperature difference
01185.0-00	Contact breaker (NC)	+15 °C (±3 K tolerance)	5 K (±3 K tolerance)
01185.1-00	Contact breaker (NC)	+25 °C (±3 K tolerance)	5 K (±3 K tolerance)